



*South Valley*

**WATER RECLAMATION FACILITY**

7495 South 1300 West  
West Jordan, Utah 84084  
801.566.7711 F 801.566.7734

# **SOUTH VALLEY WATER RECLAMATION FACILITY**

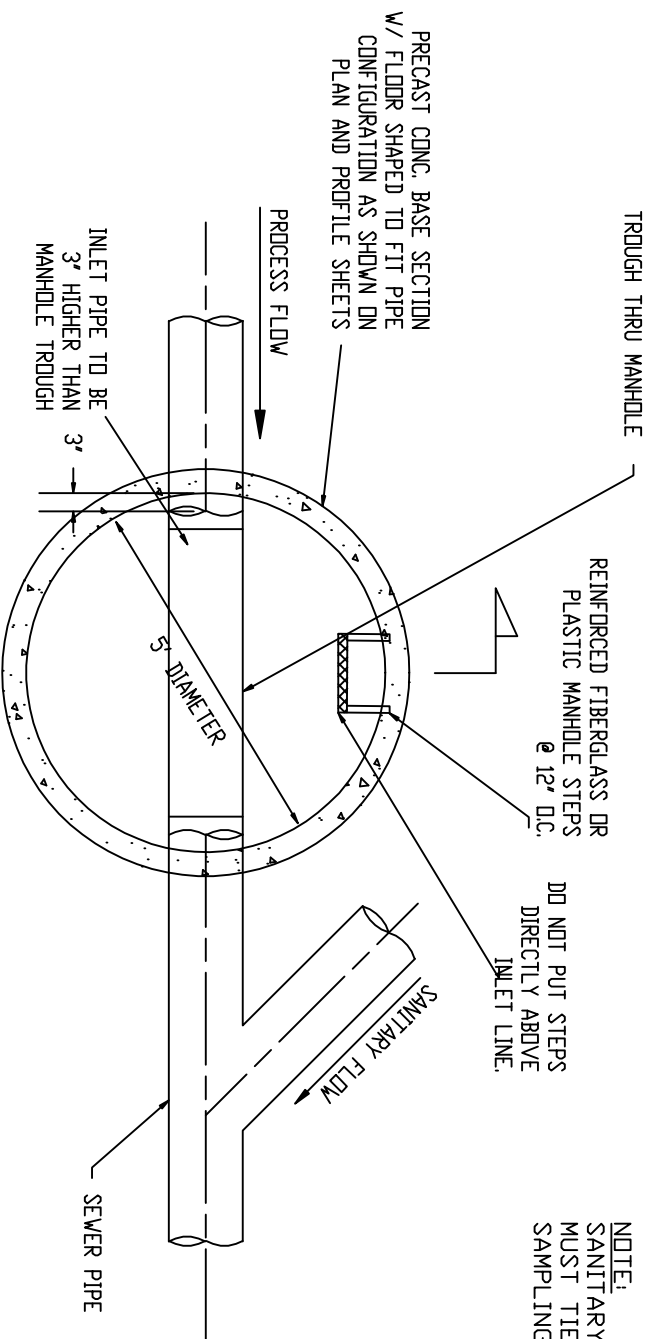
## **PRETREATMENT PROGRAM**

### **PRETREATMENT DRAWINGS AND SPECIFICATIONS**

- SAMPLING MANHOLE - 3' TO 7' DEEP**
  - SAMPLING MANHOLE - 7' AND DEEPER**
  - SAMPLING MANHOLE - BOX**
  - GREASE INTERCEPTOR - 800 AND 1000 GALLON**
  - SAND AND OIL SEPARATOR - 800 AND 1000 GALLON**
- ## **DETAILS**

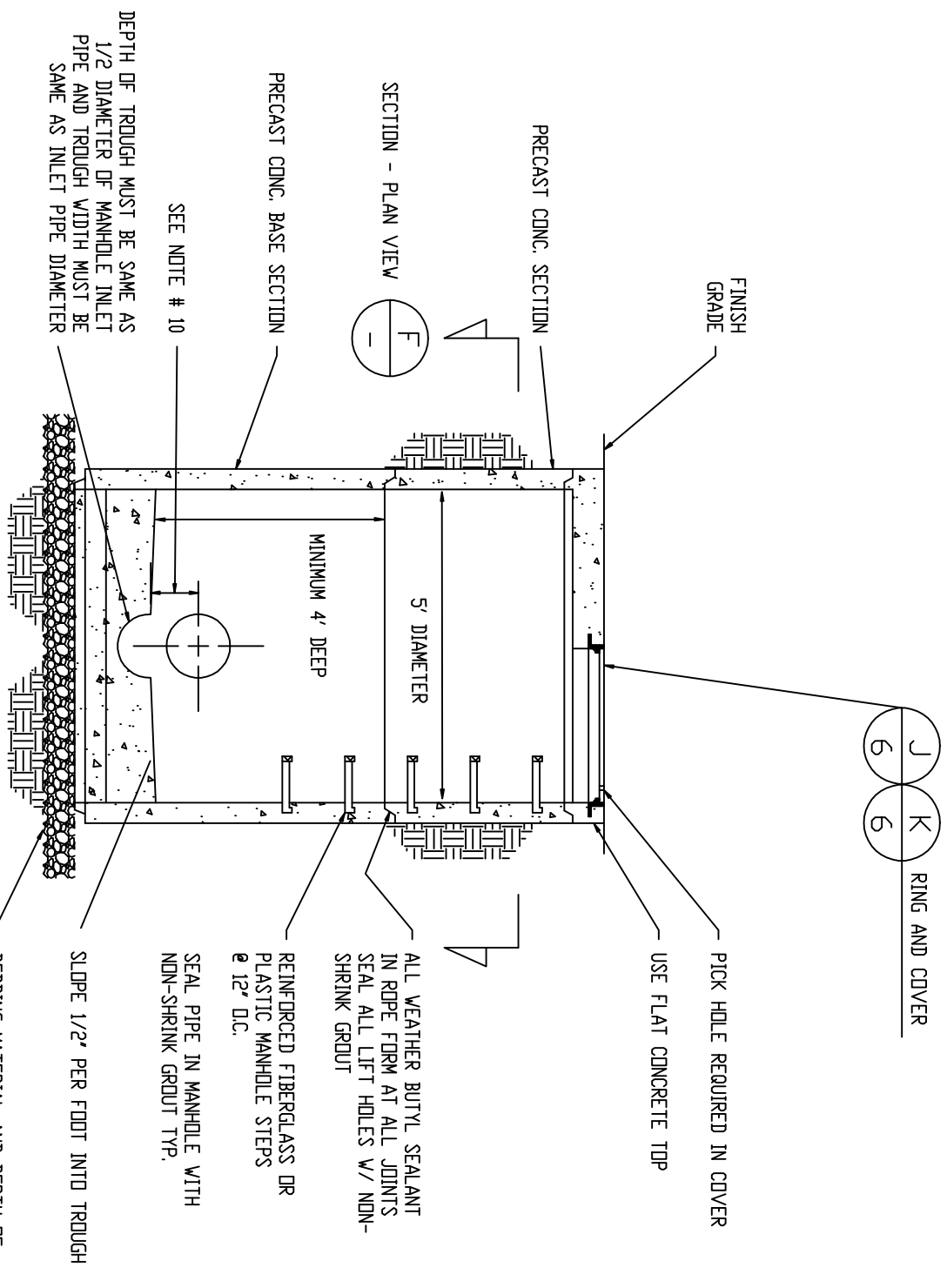
IMPORTANT NOTICE: South Valley Water Reclamation Facility must be notified prior to backfilling interceptor and sampling manhole installations. Inspection of these installations by South Valley Water Reclamation Facility is a requirement!

NOTE:  
SANITARY PIPING FROM TOILETS  
MUST TIE IN DOWNSTREAM FROM  
SAMPLING MANHOLE.



F PLAN - MANHOLE  
NONE

- NOTES:
1. PIPING, CLEANOUT CONFIGURATION, SIZE AND TYPE OF PIPING MATERIAL AS PER CITY OR SANITARY DISTRICT. INSPECTION BY SVWRP PRIOR TO BACKFILLING IS REQUIRED.
  2. WIDTH OF TROUGH IN THE MANHOLE MUST BE THE SAME SIZE AS THE INLET PIPE INTO MANHOLE. DEPTH OF TROUGH MUST BE THE SAME AS 1/2 OF INLET PIPE DIAMETER.
  3. CONCRETE SHALL HAVE A MINIMUM 28 DAY COMPRESSIVE STRENGTH OF 4000 PSI.
  4. REINFORCEMENT STEEL SHALL BE ASTM A615 GRADE 60.
  5. THE CONCRETE COVER OVER REINFORCEMENT STEEL SHALL BE A MINIMUM OF 1 1/2 INCHES.
  6. THE STRUCTURE SHALL BE DESIGNED BY A REGISTERED PROFESSIONAL ENGINEER LICENSED IN THE STATE OF UTAH.
  7. THE STRUCTURE SHALL BE DESIGNED FOR THE FOLLOWING LOADING CRITERIA:
    - A) WALLS DESIGNED FOR A SATURATED EQUIVALENT FLUID AT-REST SOIL PRESSURE OF 90 PCF PLUS TRUCK SURCHARGES.
    - B) TRUCK LOADING USING AN AASHTO H-20 TRUCK LOAD.
  8. MANHOLES OVER 4 FEET IN DEPTH WILL HAVE FIBERGLASS OR PLASTIC STEPS.
  9. ALL MANHOLES MUST HAVE ROUND NOTCHED COVERS WITH PICK HOLE FOR REMOVAL.
  10. FOR NEW CONSTRUCTION, BOTTOM OF INLET PIPE INTO MANHOLE MUST BE AT LEAST 3 INCHES ABOVE THE BOTTOM OF THE TROUGH THRU THE MANHOLE.
  11. 12' GRADE RINGS MAX. USE A FULL EXTENSION OF BOX FOR OVER 12'.
  12. GRDUT ALL PIPES IN/OUT FLUSH WITH OUT/IN SIDE OF BOX.
  13. DO NOT LOCATE SAMPLING MANHOLE IN PARKING SPOTS.
  14. MINIMUM DEPTH OF SAMPLING MANHOLE IS 4'. IF YOU CAN'T GET 4', CONTACT SVWRP.



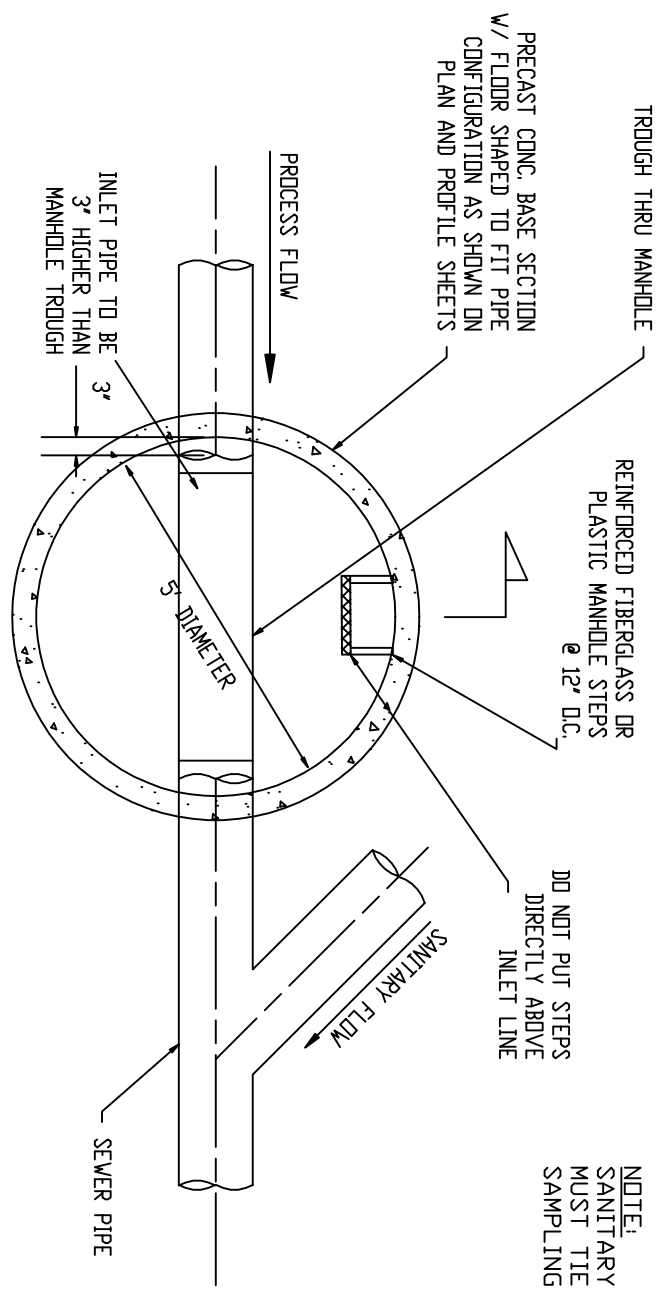
G SECTION - MANHOLE  
NONE

REV	DATE	BY	DESCRIPTION
Δ	12/9/08	D.S.	NOTES 11 & 12, BEDDING NOTE.
Δ			
Δ			
Δ			

DESIGNED BY:	CHECKED BY:
N. PALMER	N. PALMER
DRWN BY: J. McDUGALL	APPV'D BY: N. PALMER
DATE: 2/22/2001	

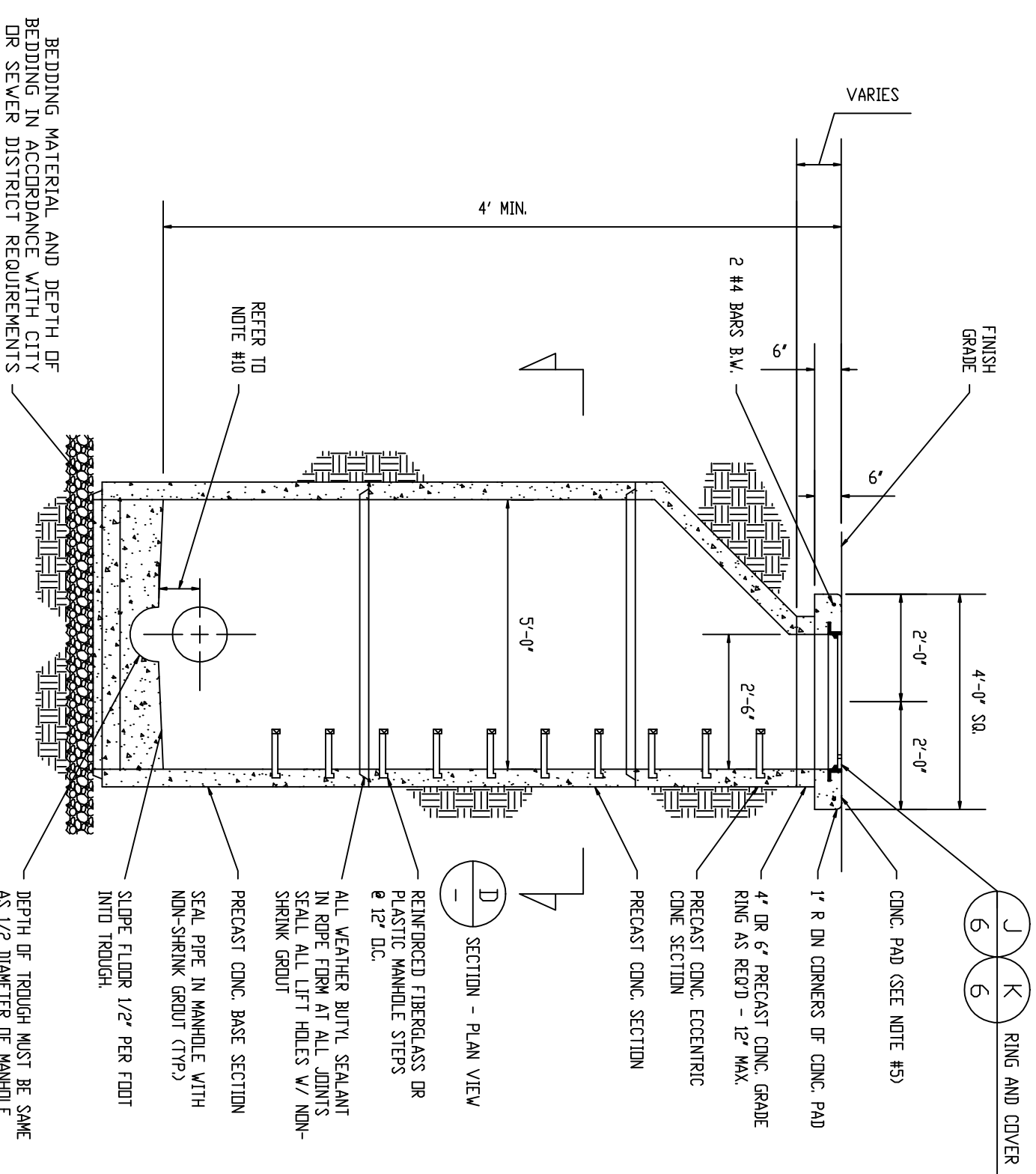
**South Valley**  
 WATER RECLAMATION FACILITY  
 7495 South 1300 West  
 Salt Lake City, UT 84144  
 801.566.7711 F 801.566.7734

SOUTH VALLEY WATER RECLAMATION FACILITY  
 PRETREATMENT PROGRAM  
 SAMPLING MANHOLE, 3' TO 7' DEEP  
 SCALE: NONE  
 DRAWING NO. SHEET 2 OF 6



**D PLAN - MANHOLE**  
- NONE

- NOTES:**
1. PIPING, CLEANOUT CONFIGURATION, SIZE AND TYPE OF PIPING MATERIAL AS PER CITY OR SANITARY DISTRICT. INSPECTION BY SVWRP PRIOR TO BACKFILLING IS REQUIRED.
  2. WIDTH OF TROUGH IN THE MANHOLE MUST BE THE SAME SIZE AS THE INLET PIPE INTO MANHOLE. DEPTH OF TROUGH MUST BE THE SAME AS 1/2 OF INLET PIPE DIAMETER.
  3. CONCRETE SHALL HAVE A MINIMUM 28 DAY COMPRESSIVE STRENGTH OF 4000 PSI.
  4. REINFORCEMENT STEEL SHALL BE ASTM A615 GRADE 60.
  5. THE CONCRETE COVER OVER REINFORCEMENT STEEL SHALL BE A MINIMUM OF 1 1/2 INCHES.
  6. THE STRUCTURE SHALL BE DESIGNED BY A REGISTERED PROFESSIONAL ENGINEER LICENSED IN THE STATE OF UTAH.
  7. THE STRUCTURE SHALL BE DESIGNED FOR THE FOLLOWING LOADING CRITERIA:
    - A) WALLS DESIGNED FOR A SATURATED EQUIVALENT FLUID AT-REST SOIL PRESSURE OF 90 PCF PLUS TRUCK SURCHARGES.
    - B) TRUCK LOADING USING AN AASHTO H-20 TRUCK LOAD.
  8. MANHOLES OVER 4 FEET IN DEPTH WILL HAVE FIBERGLASS OR PLASTIC STEPS.
  9. ALL MANHOLES MUST HAVE ROUND NOTCHED COVERS WITH PICK HOLE FOR REMOVAL.
  10. BOTTOM OF INLET PIPE INTO MANHOLE MUST BE AT LEAST 3 INCHES ABOVE THE BOTTOM OF THE TROUGH THRU THE MANHOLE.
  11. NO CONE SECTION BY ITSELF.
  12. GRDUT ALL PIPES IN OR OUT WITH FLUSH INSIDE/OUTSIDE OF BOX.
  13. INLET PIPE 2" INSIDE BOX.
  14. DO NOT LOCATE SAMPLING MANHOLE IN PARKING SPOTS.



**E SECTION - MANHOLE**  
- NONE

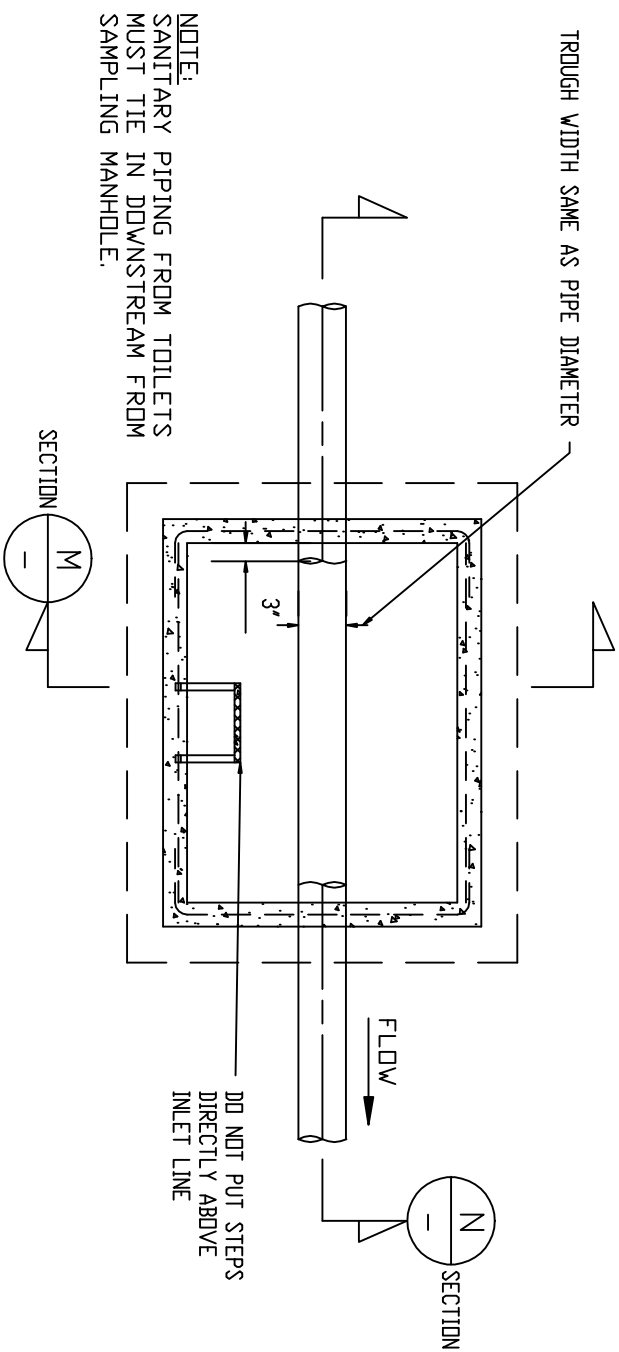
DESIGNED BY: N. PALMER	CHECKED BY: N. PALMER	DATE: JULY 14, 2005	DESCRIPTION: SOUTH VALLEY WATER RECLAMATION FACILITY SAMPLING MANHOLE, 7' AND DEEPER
DATE: 12/9/08	DATE: 12/9/08	DATE: 12/9/08	DATE: 12/9/08
DATE: 12/9/08	DATE: 12/9/08	DATE: 12/9/08	DATE: 12/9/08
DATE: 12/9/08	DATE: 12/9/08	DATE: 12/9/08	DATE: 12/9/08

**South Valley**  
7495 South 1300 West  
Salt Lake City, UT 84144  
801.566.7711 F 801.566.7794

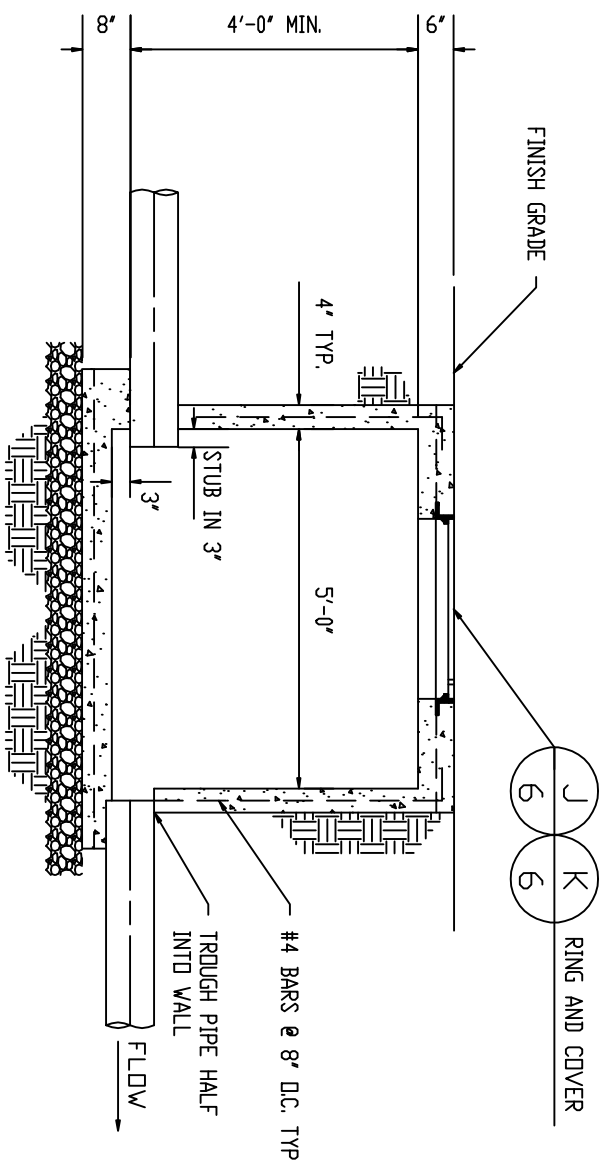
**SOUTH VALLEY WATER RECLAMATION FACILITY**  
PRETREATMENT PROGRAM  
SAMPLING MANHOLE, 7' AND DEEPER

SCALE: NONE SHEET 3 OF 6

ALL DRAWING AND WRITING INFORMATION APPEARING HEREIN IS THE PROPERTY OF SOUTH VALLEY WATER RECLAMATION FACILITY. IT IS TO BE USED ONLY FOR THE PROJECT AND WITHOUT WRITTEN CONSENT OF SOUTH VALLEY WATER RECLAMATION FACILITY. © COPYRIGHT 2001

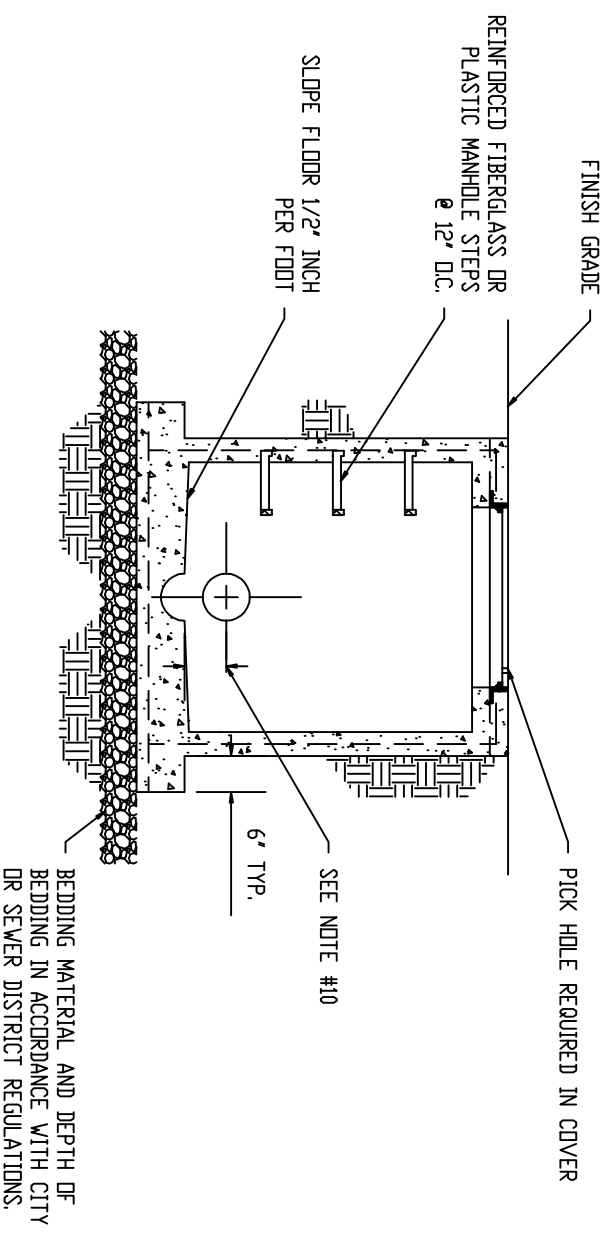


PLAN - SAMPLE BOX



SECTION - SAMPLE BOX

- NOTES:**
1. PIPING, CLEANOUT CONFIGURATION, SIZE AND TYPE OF PIPING MATERIAL AS PER CITY OR SANITARY DISTRICT. INSPECTION BY SVWRF PRIOR TO BACKFILLING IS REQUIRED.
  2. WIDTH OF TROUGH IN THE MANHOLE MUST BE THE SAME SIZE AS THE INLET PIPE INTO MANHOLE. DEPTH OF TROUGH MUST BE THE SAME AS 1/2 OF INLET PIPE DIAMETER.
  3. CONCRETE SHALL HAVE A MINIMUM 28 DAY COMPRESSIVE STRENGTH OF 4000 PSI.
  4. REINFORCEMENT STEEL SHALL BE ASTM A615 GRADE 60.
  5. THE CONCRETE COVER OVER REINFORCEMENT STEEL SHALL BE A MINIMUM OF 1 1/2 INCHES.
  6. THE STRUCTURE SHALL BE DESIGNED BY A REGISTERED PROFESSIONAL ENGINEER LICENSED IN THE STATE OF UTAH.
  7. THE STRUCTURE SHALL BE DESIGNED FOR THE FOLLOWING LOADING CRITERIA:
    - A) WALLS DESIGNED FOR A SATURATED EQUIVALENT FLUID AT-REST SOIL PRESSURE OF 90 PCF PLUS TRUCK SURCHARGES.
    - B) TRUCK LOADING USING AN AASHTO H-20 TRUCK LOAD.
  8. MANHOLES OVER 4 FEET IN DEPTH WILL HAVE FIBERGLASS OR PLASTIC STEPS.
  9. ALL MANHOLES MUST HAVE ROUND NOTCHED COVERS WITH PICK HOLE FOR REMOVAL.
  10. BOTTOM OF INLET PIPE INTO MANHOLE MUST BE AT LEAST 3 INCHES ABOVE THE BOTTOM OF THE TROUGH THRU THE MANHOLE.
  11. 12' OF GRADE RINGS MAX. USE A FULL EXTENSION OF BOX FOR OVER 12'.
  12. ANY WATER THAT ENTERS SMH MUST LEAVE, NO PUDDLING.
  13. GROUT ALL PIPES IN/OUT FLUSH WITH SIDE OF BOX.
  14. INLET PIPE 2' INSIDE BOX.



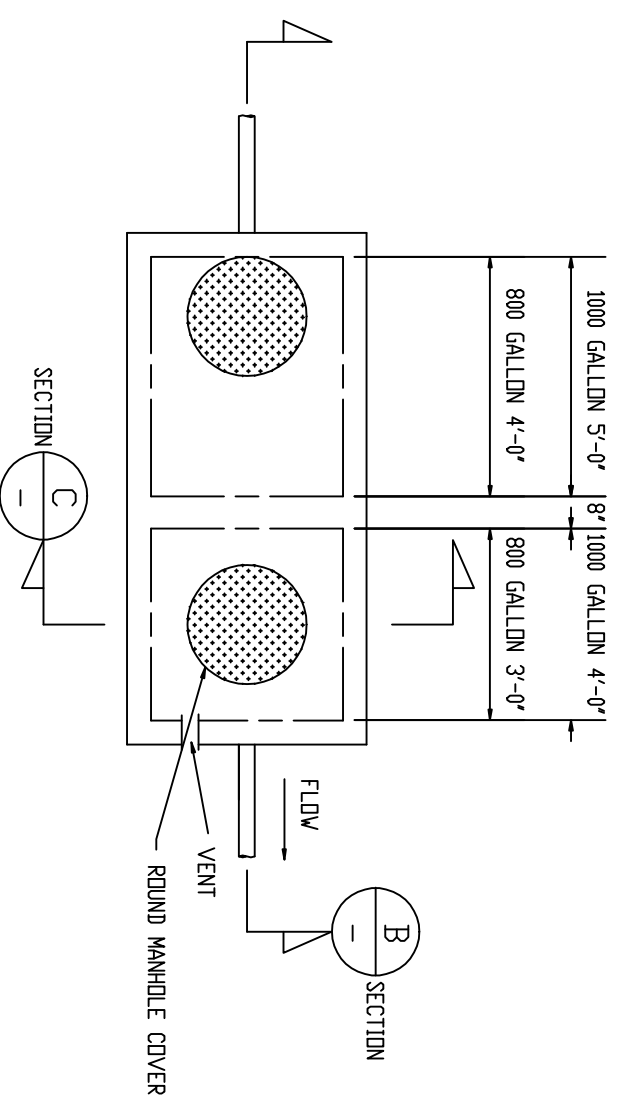
SECTION - SAMPLE BOX

DESIGNED BY: N. PALMER	CHECKED BY: N. PALMER	DATE: 12/9/08	DESCRIPTION: NOTES 11, 12, 13 & 14, OUTLET PIPE IN (N) SECTION.
DRAWN BY: J. McDUGALL	APPROVED BY: N. PALMER	DATE: 12/9/08	DESCRIPTION: BEDDING NOTE IN (N) SECTION.
DATE: 12/9/08	BY: N. PALMER	DATE: 12/9/08	DESCRIPTION: BEDDING NOTE IN (N) SECTION.
DATE: 12/9/08	BY: N. PALMER	DATE: 12/9/08	DESCRIPTION: BEDDING NOTE IN (N) SECTION.

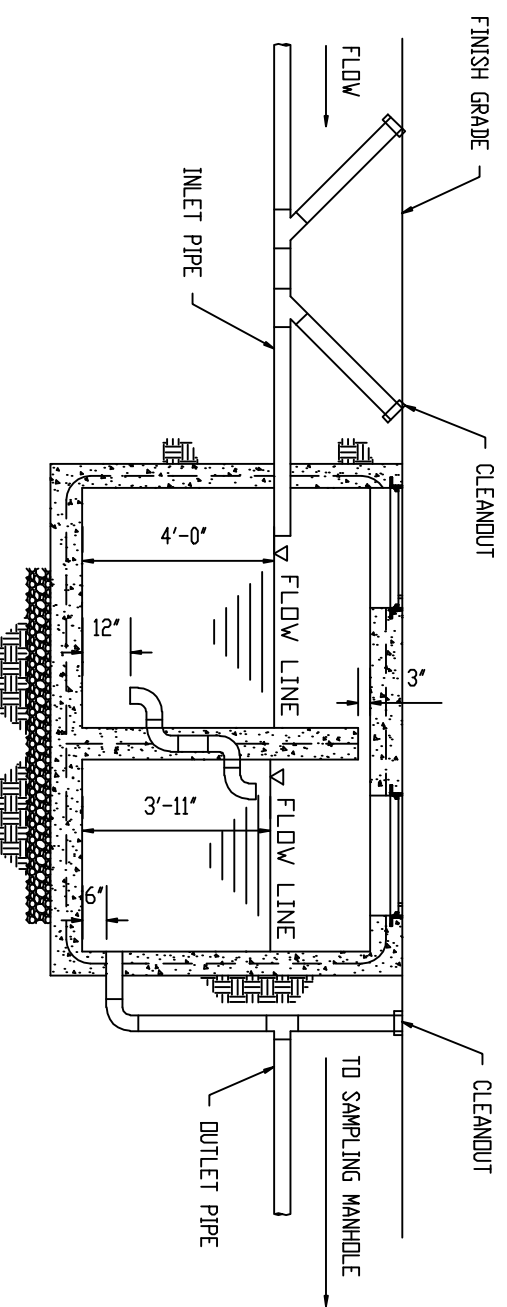
**South Valley**  
 WATER RECLAMATION FACILITY  
 7495 South 1900 West  
 Salt Lake City, UT 84144  
 801.566.7711 F 801.566.7794

SOUTH VALLEY WATER RECLAMATION FACILITY  
 PRETREATMENT PROGRAM  
 SAMPLING MANHOLE, BOX

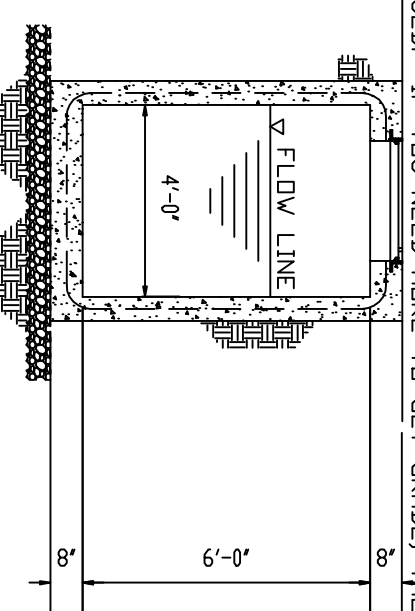
JOB NO: ----- SCALE: NONE SHEET 4 OF 6



A PLAN - GREASE INTERCEPTOR  
SAND AND OIL SEPERATOR



B SECTION - GREASE INTERCEPTOR  
SAND AND OIL SEPERATOR



C SECTION - GREASE INTERCEPTOR  
SAND AND OIL SEPERATOR

NOTES:  
1. PIPING, CLEANOUT CONFIGURATION, SIZE AND TYPE OF PIPING MATERIAL AS PER CITY OR SANITARY DISTRICT. INSPECTION BY SWWRP PRIOR TO BACKFILLING IS REQUIRED.

2. INTERCEPTOR PIPING AND OTHER ASSOCIATED PIPING CHANGES THAT ARE NECESSARY TO INSTALL INTERCEPTOR MUST BE IN ACCORDANCE WITH LOCAL REGULATIONS.
3. INTERCEPTOR MUST BE PROPERLY VENTED, INDEPENDENT OF OTHER FACTORS, IN ACCORDANCE WITH UNIFORM PLUMBING CODE STANDARDS. VENTED INSIDE BUILDING WITH INDEPENDENT VENT AWAY FROM VTR AIR INTAKES.
4. CONCRETE SHALL HAVE A MINIMUM 28 DAY COMPRESSIVE STRENGTH OF 4000 PSI.
5. REINFORCEMENT STEEL SHALL BE ASTM A615 GRADE 60.
6. THE CONCRETE COVER OVER REINFORCEMENT STEEL SHALL BE A MINIMUM OF 1-1/2 INCHES.
7. THE STRUCTURE SHALL BE DESIGNED BY A REGISTERED PROFESSIONAL ENGINEER LICENSED IN THE STATE OF UTAH.
8. THE STRUCTURE SHALL BE DESIGNED FOR THE FOLLOWING LOADING CRITERIA:  
A) WALLS DESIGNED FOR A SATURATED EQUIVALENT FLUID AT-REST SOIL PRESSURE OF 90 PCF PLUS TRUCK SURCHARGES.  
B) TRUCK LOADING USING AN AASHTO H-20 TRUCK LOAD.
9. MANWAY FRAME & COVER SHALL BE A TRAFFIC TYPE CASTING FOR H-20 TRUCK LOAD.
10. THE INLET PIPE SHALL BE AT AN ELEVATION 1' HIGHER THAN THE OUTLET PIPE.
11. WHERE THE SEWER LINE ALREADY EXISTS, THE SEWER INVERT INTO AND OUT OF THE INTERCEPTOR SHALL BE 4'-0" ABOVE THE INTERCEPTOR FLOOR.
12. THE BAFFLE IN THE INTERCEPTOR SHALL BE WITHIN 3' OF THE CEILING. BAFFLE WILL HAVE TO BE RAISED WITH EXTENSION OF BOX.
13. COVERS SHALL BE CIRCULAR AND BE SOLID.
14. SANITARY WASTE FROM TOILETS MUST NOT BE PLUMBED THROUGH THE INTERCEPTOR.
15. INTERCEPTOR MUST BE LOCATED IN SUCH A MANNER THAT IT IS READILY ACCESSIBLE FOR CLEANING.
16. GROUT ALL PIPE INTO AND OUT OF BOX FLUSH WITH OUTSIDE.
17. GROUT ALL WINDOW AND KNOCK OUT FLUSH WITH OUTSIDE OF BOX.
18. GROUT ANY SPALDS FROM KNOCKOUTS.
19. 12' OF GRADE RINGS IS ALL THAT CAN BE USED. IF YOU NEED MORE TO GET GRADE, THEN ENTIRE BOX MUST BE RAISED.

DESIGNED BY: N. PALMER	CHECKED BY: N. PALMER	ALL DIMENSIONS AND WEIGHTS SHOWN ON THIS DRAWING ARE BASED ON THE STANDARD WEIGHTS AND DIMENSIONS LISTED IN THE AISC STEEL CONSTRUCTION MANUAL © COPYRIGHT 2001
DATE: 12/15/08	BY: J. McDUGALL	
DESCRIPTION: SAND AND OIL SEPERATOR		
SOUTH VALLEY WATER RECLAMATION FACILITY PRETREATMENT PROGRAM GREASE INTERCEPTOR		
SCALE: NONE	SHEET 5 OF 6	

